

4

3

2

1

D

D

C

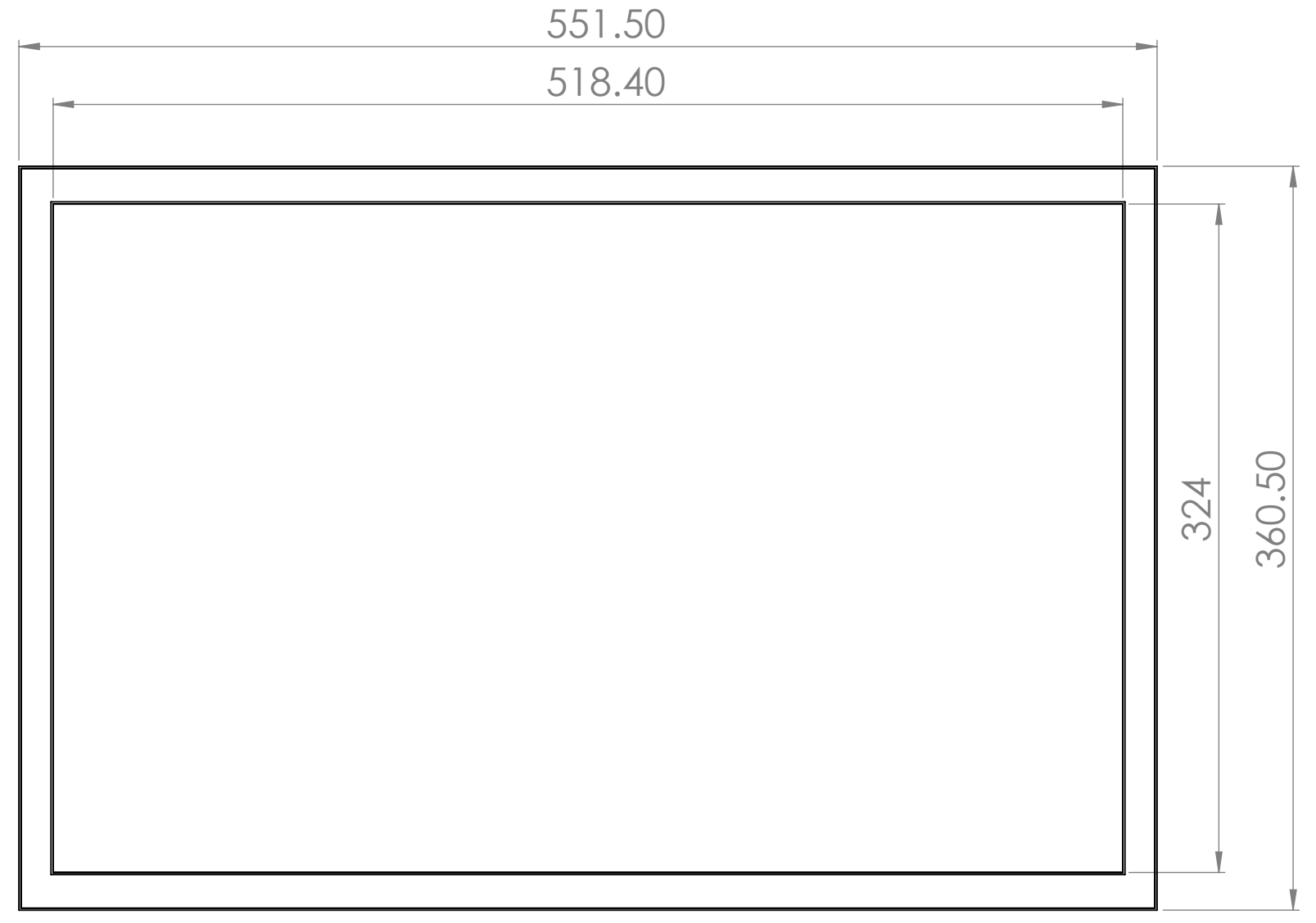
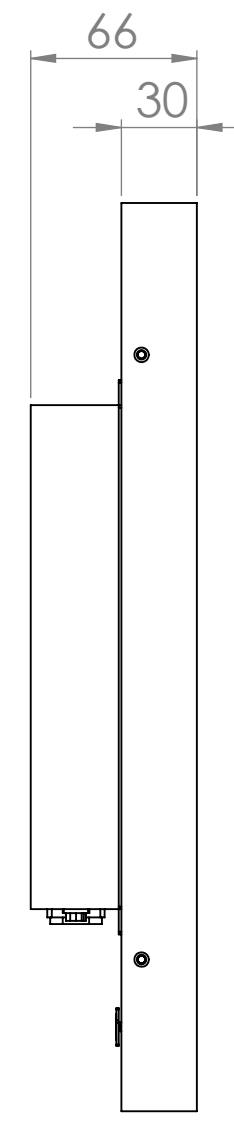
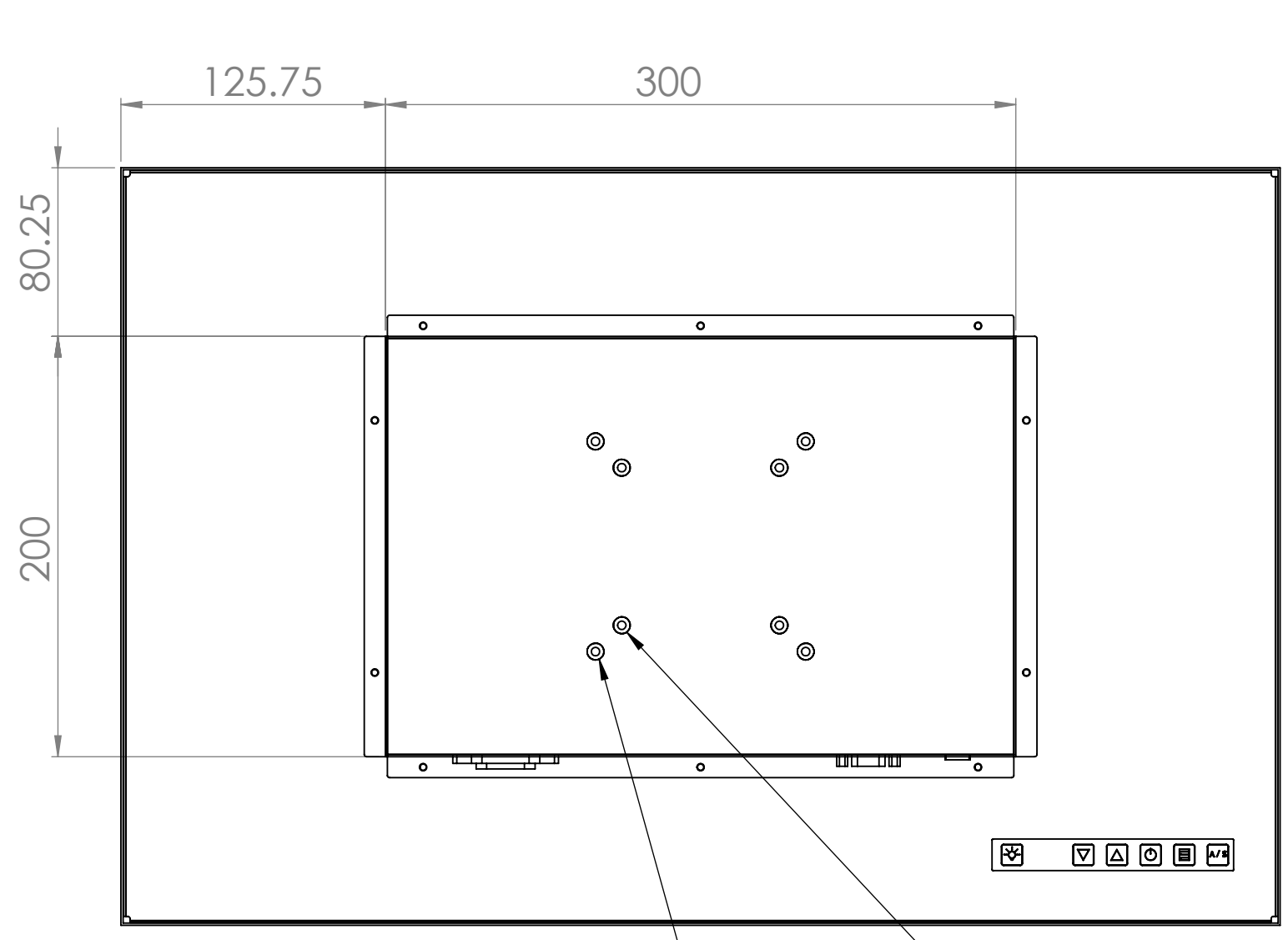
C

B

B

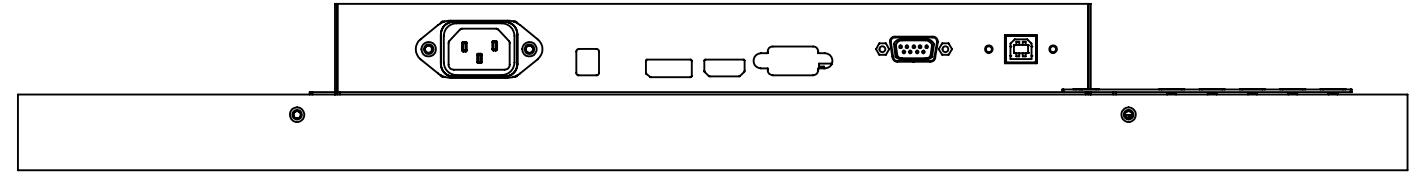
A

A



75 x 75 VESA MOUNT HOLE PATTERN FOR M4 SCREW

100 x 100 VESA MOUNT HOLE PATTERN FOR M4 SCREW



**PROPRIETARY AND CONFIDENTIAL**  
 THE INFORMATION CONTAINED IN THIS DRAWING IS THE SOLE PROPERTY OF <INSERT COMPANY NAME HERE>. ANY REPRODUCTION IN PART OR AS A WHOLE WITHOUT THE WRITTEN PERMISSION OF <INSERT COMPANY NAME HERE> IS PROHIBITED.

		UNLESS OTHERWISE SPECIFIED:		NAME	DATE	One World Touch	
		DIMENSIONS ARE IN INCHES		DRAWN		TITLE:	
		TOLERANCES:		CHECKED		<b>24" Performance Monitor</b>	
		FRACTIONAL ±		ENG APPR.		SIZE DWG. NO. REV	
		ANGULAR: MACH ± BEND ±		MFG APPR.		<b>C LM-2400-49</b>	
		TWO PLACE DECIMAL ±		Q.A.		SCALE: 1:3 WEIGHT: SHEET 1 OF 1	
		THREE PLACE DECIMAL ±		COMMENTS:			
		INTERPRET GEOMETRIC TOLERANCING PER:					
		MATERIAL					
		FINISH					
NEXT ASSY	USED ON	APPLICATION					
		DO NOT SCALE DRAWING					

4

3

2

1